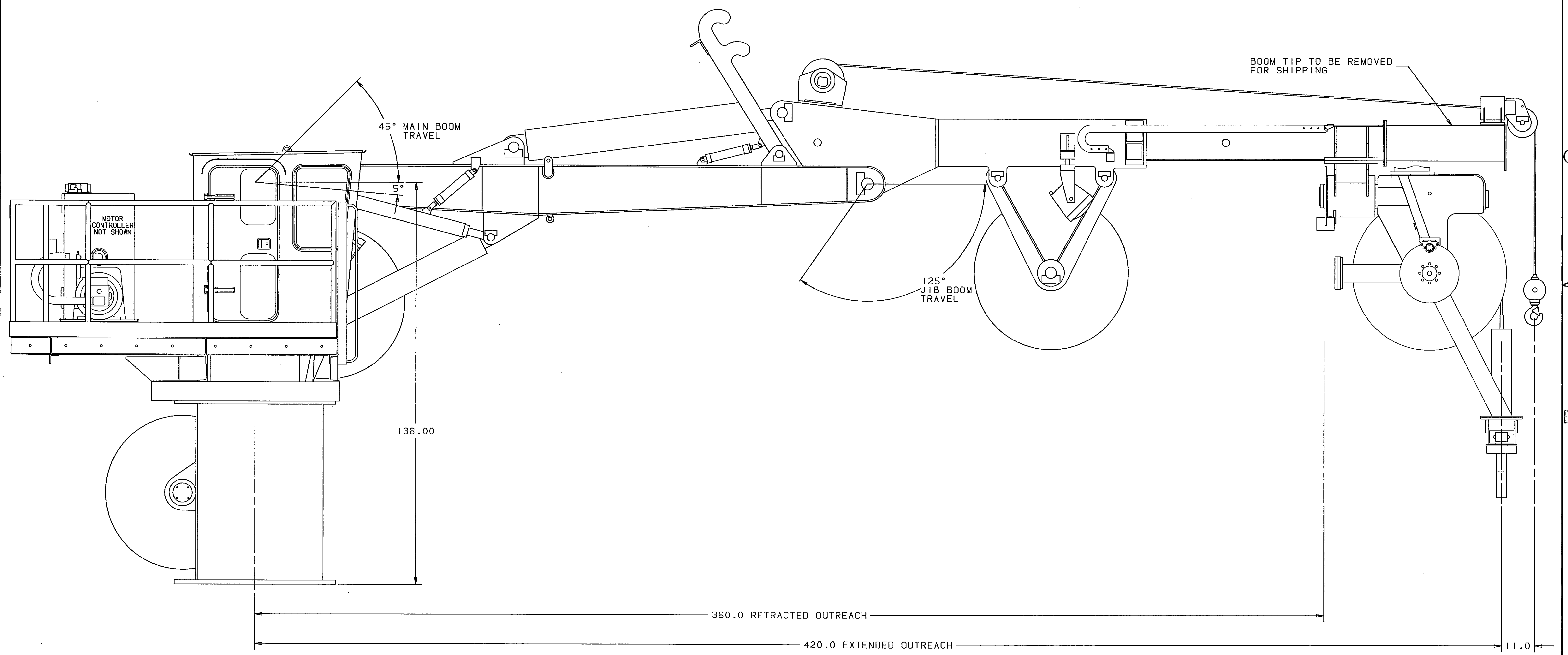


NOTES

1. CRANE MODEL NUMBER IS KEB50-35.
2. CRANE RATINGS:
 - A. 10,000 POUNDS AT A 35 FOOT OUTREACH.
 - B. 20,000 POUNDS AT A 25 FOOT OUTREACH.
 - C. 30,000 POUNDS AT A 17 FOOT OUTREACH.
3. CRANE WEIGHT IS APPROX. 35,000 POUNDS.
4. CRANE FOUNDATION REACTIONS ARE:
 - AXIAL THRUST.....75,000 LBS
 - OVERTURNING MOMENT.....1,125,000 FT-LBS

REVISIONS							
NO.	SHT.	ZONE	DESCRIPTION	BY	CHKD.	APPR.	DATE
2			REVISED PER S.O. 12175	SRT	KEB	KEG	22.FE.80

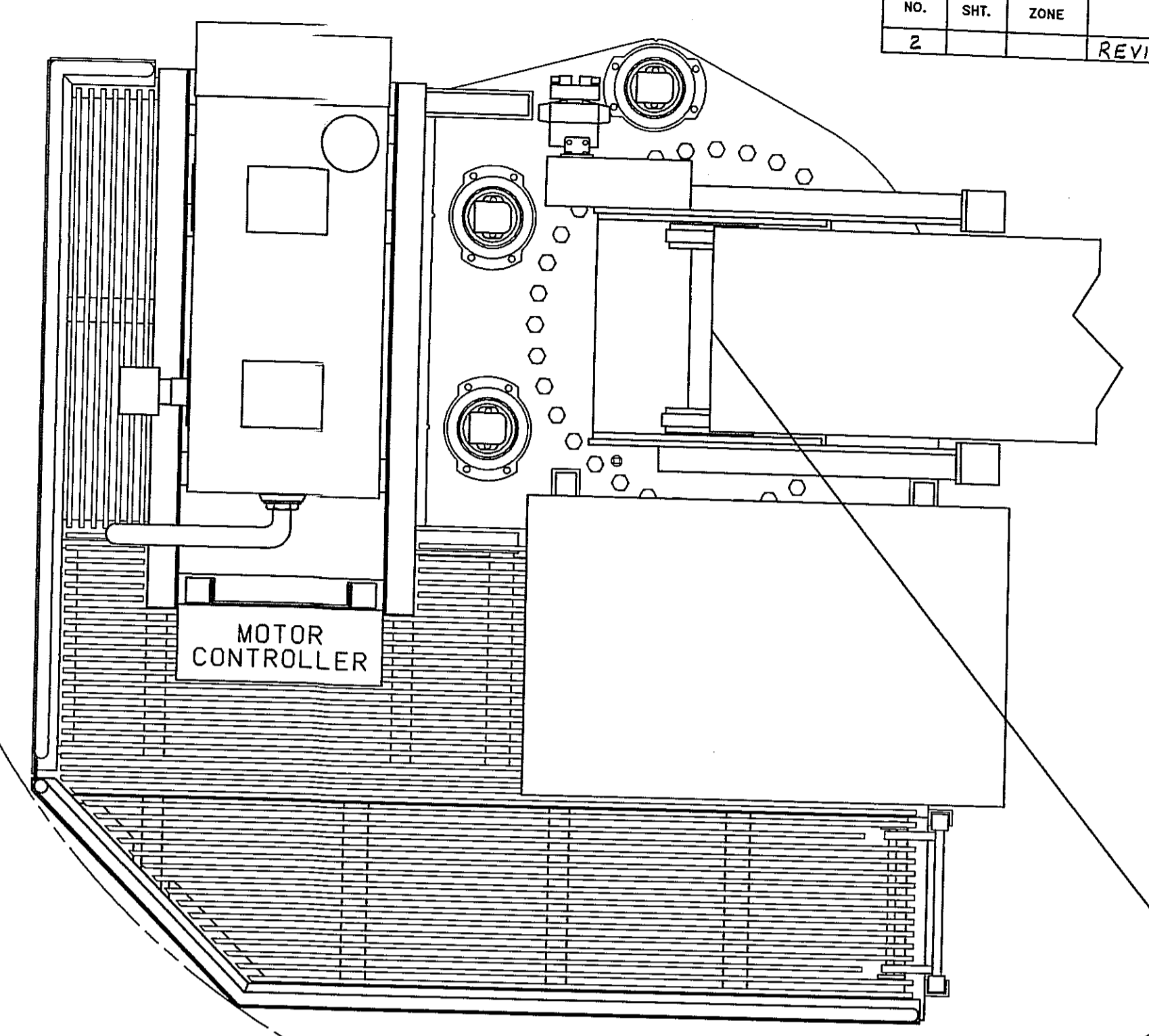
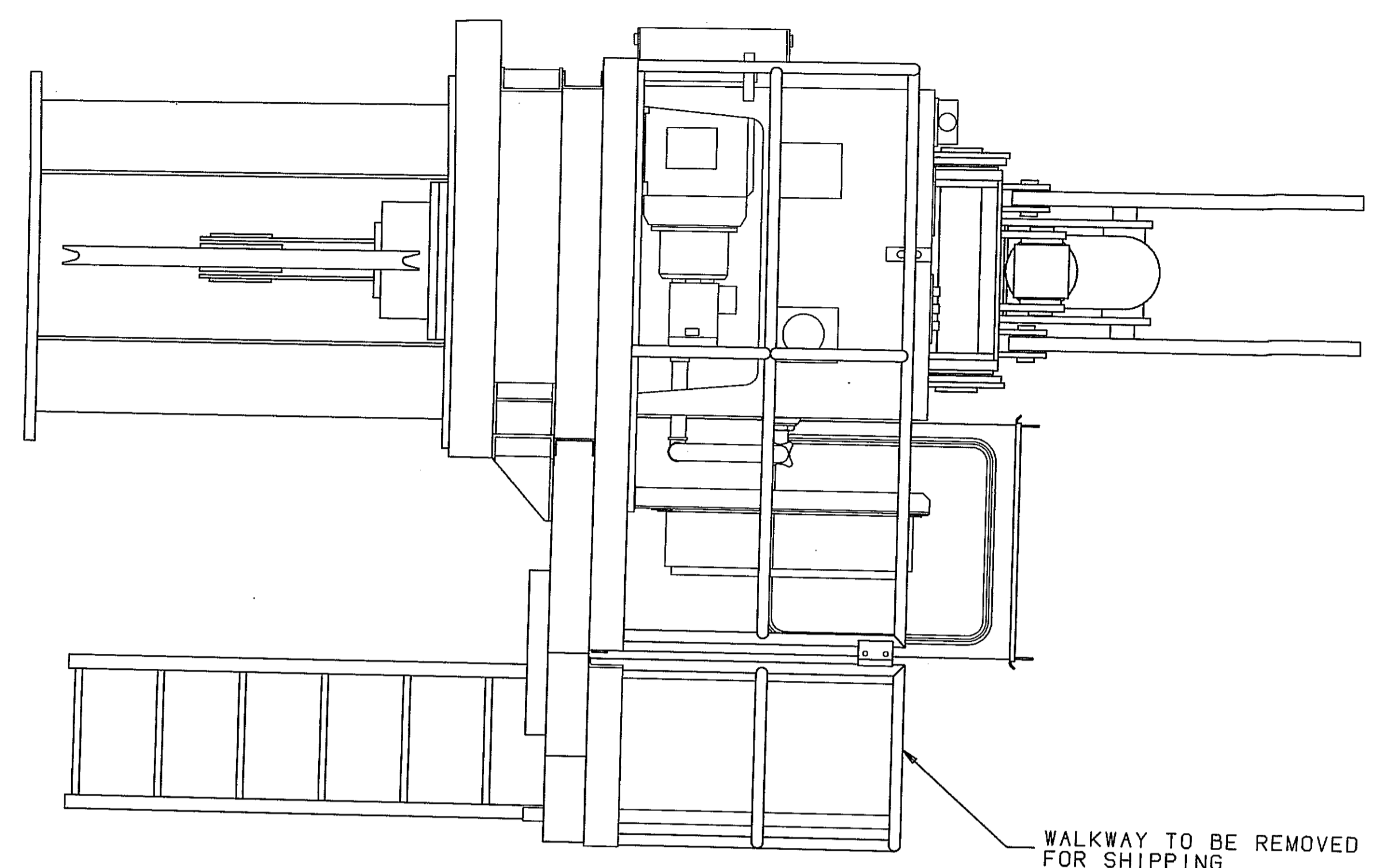


REFERENCE

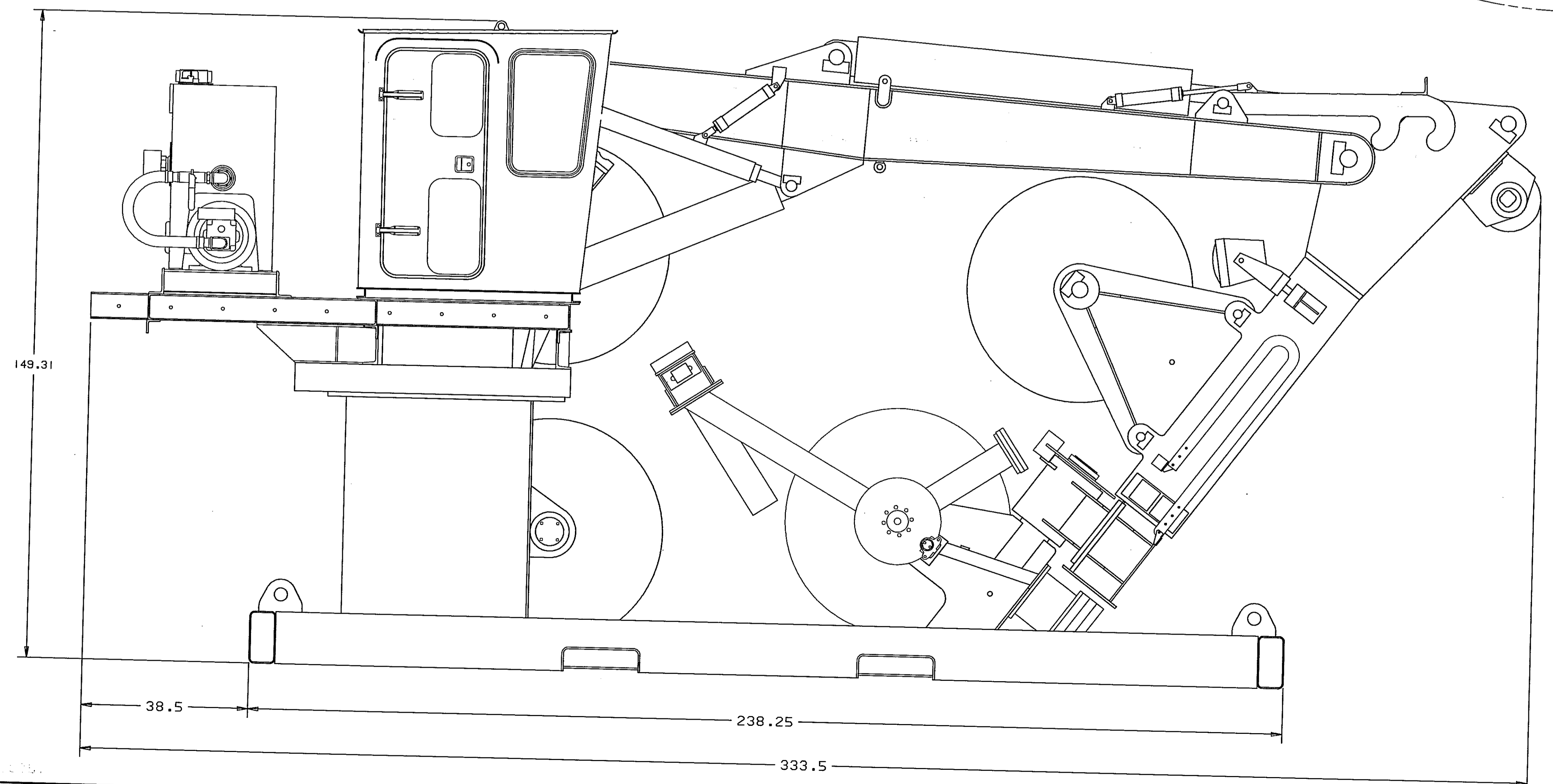
		® APPLETON MARINE, INC.	
DRAWN	KEG	3-1-91	OVERBOARD HANDLING UNIT MODEL KEB50-35
CHECKED	CEB	1-9-92	
APPROVED	KEG	1-9-92	
SIZE	D	CODE IDENT. NO.	70433
		DRAWING NO.	BMD-358
SCALE	1/16	EST. WEIGHT	35,000 LBS
		SHEET	1 OF 2



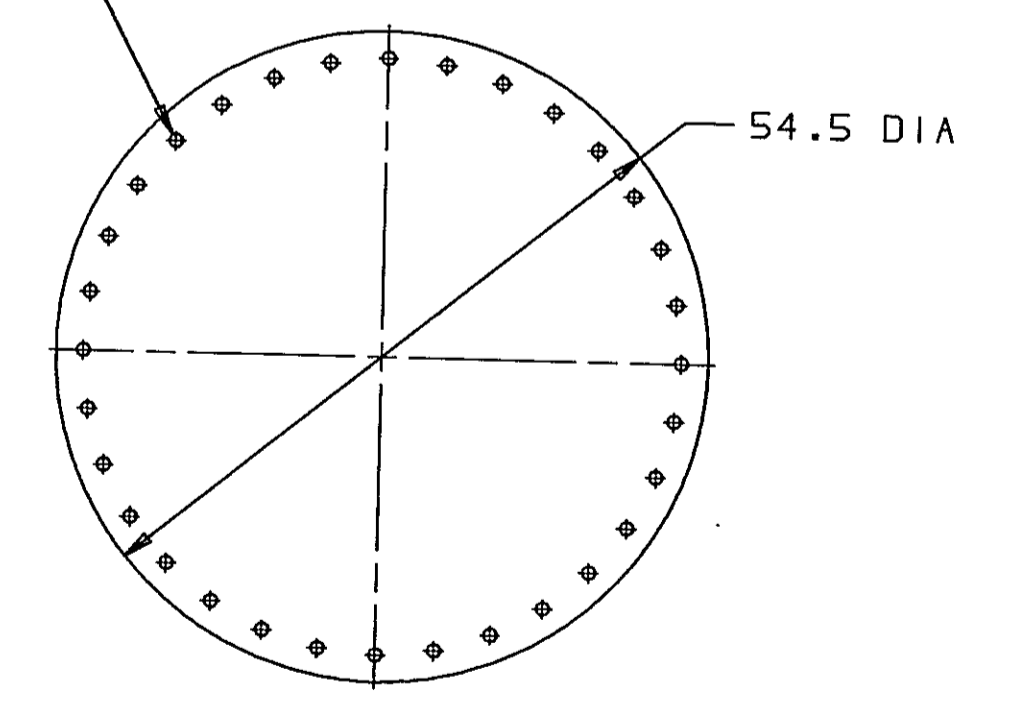
REVISIONS				BY	CHKD.	APPR.	DATE
NO.	SHT.	ZONE	DESCRIPTION				
2			REVISED PER S.O. 12.175	SRT	JPA	KEG	22Feb01



102.0 R TAILSWING



1.25 DIA (32 HOLES) ON A 50.0 B.C.
USE 1.00-8NC GRADE 8 BOLTS



CRANE MOUNTING PLAN

DRAWN KEG 3-1-91				① APPLETON MARINE, INC.			
CHECKED CEB 1-9-92		DRAWING NO. 70433		REV. 2		BMD-358	
APPROVED KEG 1-9-92		SCALE 1/16		EST. WEIGHT 35,000 LBS		SHEET 2 OF 2	

REFERENCE: 1075

