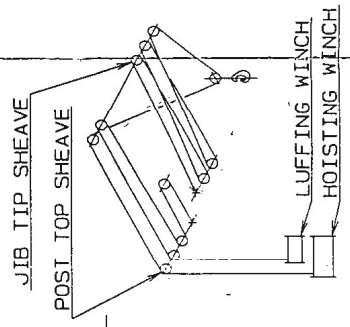
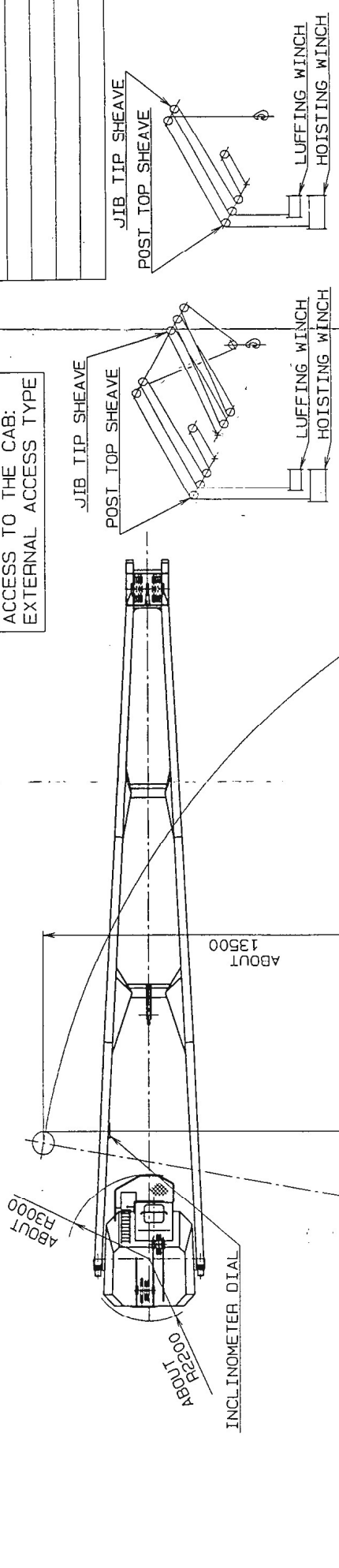
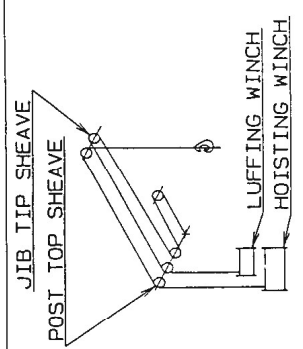


PLAN RECORD

ACCESS TO THE CAB:  
EXTERNAL ACCESS TYPE



WIRE REEVING (FOR 36t)



WIRE REEVING (FOR 8t)  
(SHIPOWNER PORTION)

MACHINERY DESIGNING SECTION		IMABARI SHIPBUILDING CO., LTD.	
APPROVED	<i>[Signature]</i>	No. 1 CRANE	
CHECKED	<i>[Signature]</i>	THE ARRANGEMENT OF	
DRAWN	<i>[Signature]</i>	36 <sup>t</sup> x24 <sup>m</sup> (R) HYDRAULIC DECK CRANE	
SCALE	1/150	DRAWING NO.	
ORDER		DSC0106190	