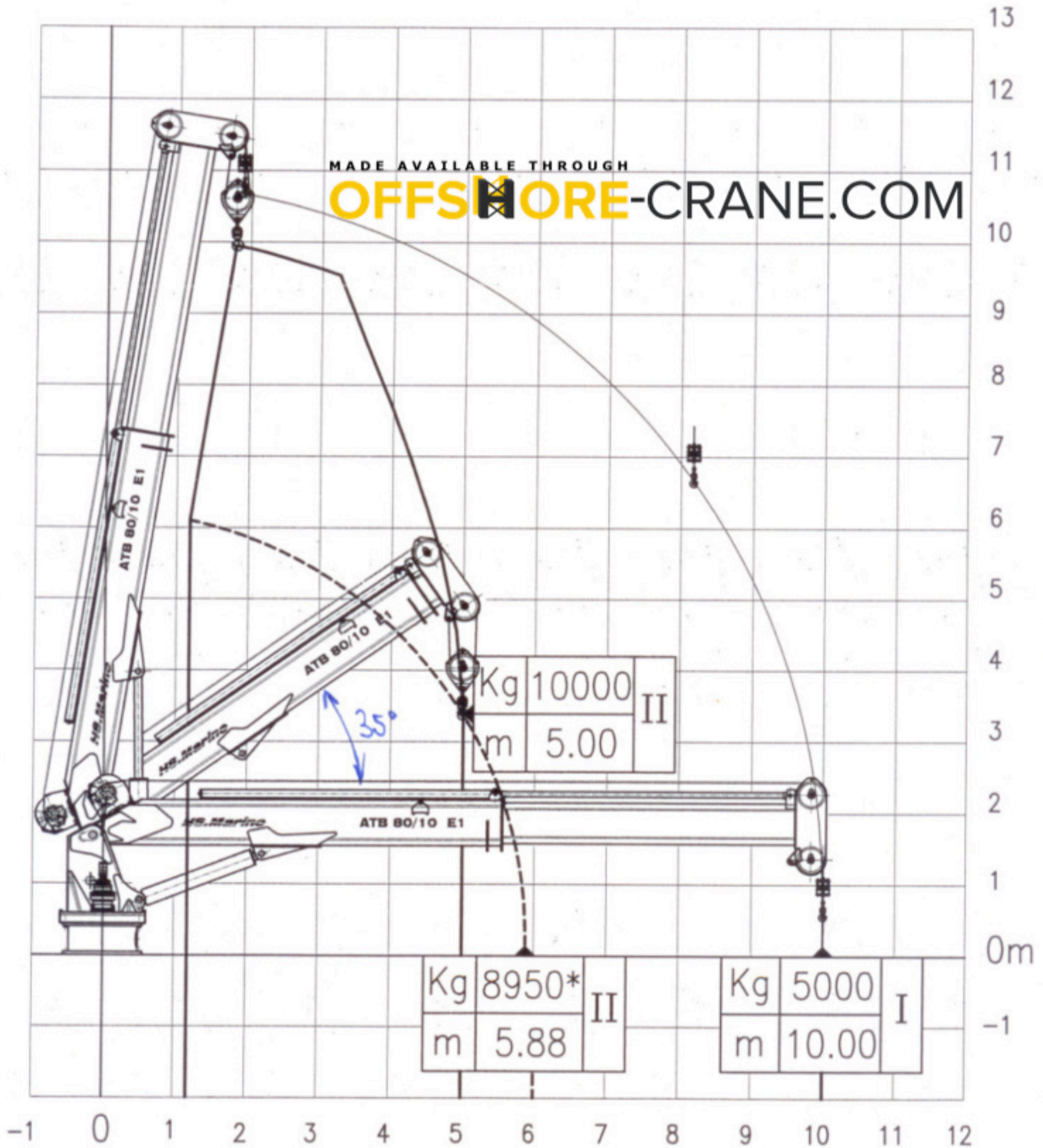




Working Diagram with Winch

( II -Double Pull Use - SWL 10 t / I -Direct Pull Use - SWL 5 T )



Marine Crane model ATB 80/10 E1