



MADE AVAILABLE THROUGH
OFFSHORE-CRANE.COM



SWL 5t @ 10 m

PROMAC.NL

ATB 80/10 E1

HS Marine

SWL 10 x 8 m

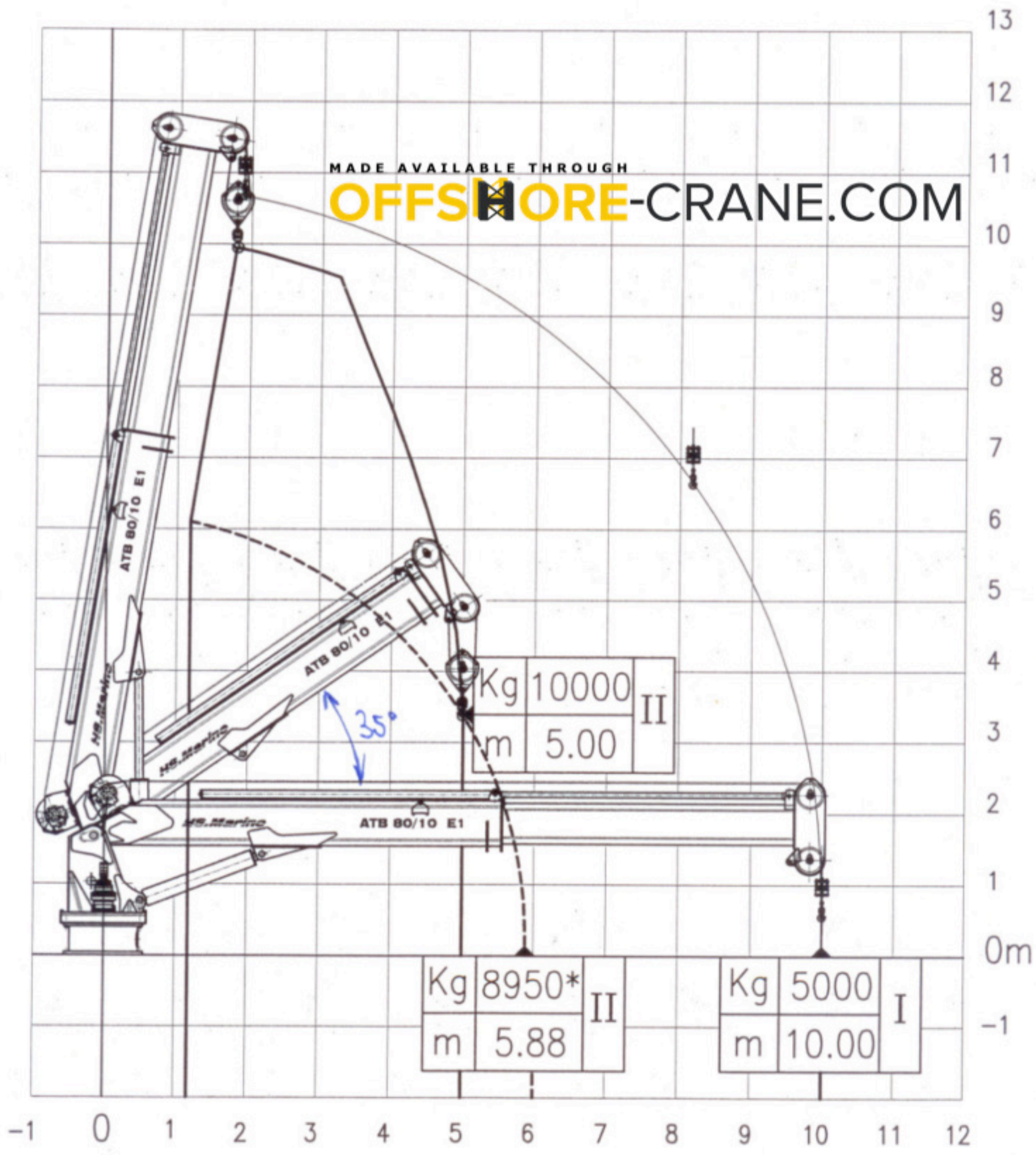
MADE AVAILABLE THROUGH

OFFSHORE-CRANE.COM



Working Diagram with Winch

(II -Double Pull Use - SWL 10 t / I -Direct Pull Use - SWL 5 T)



Marine Crane model ATB 80/10 E1