



1470-1



MADE AVAILABLE THROUGH

OFFSHORE CRANE.COM



MERWEDE



IHC Hytop B.V.

P.O. Box 335, 3360 AH Sliedrecht
Industrieweg 30, 3361 HJ Sliedrecht
The Netherlands

T +31 184 43 19 33
F +31 184 43 16 16
info@ihchytop.com
www.ihchytop.com

LINE PULL

2100

KN

YEAR

24/2016

WINCH TYPE

EW 2100

HYTOP REF.

55153-730-002

YARD NR.

347

WEIGHT

61.500 KG

CLIENT REF.

[REDACTED]

INTERMEDIATE WINCH P3

MADE AVAILABLE THROUGH

OFFSHORE-CRANE.COM



MERWEDE



IHC Hytop B.V.

P.O. Box 335, 3360 AH Sliedrecht
Industrieweg 30, 3361 HJ Sliedrecht
The Netherlands

T +31 184 43 19 33
F +31 184 43 16 16
info@ihchytop.com
www.ihchytop.com

LINE PULL

2100 KN

WINCH TYPE

EW 2100

YARD NR.

347

CLIENT REF.

[REDACTED]

YEAR

23/2016

HYTOP REF.

56159-730-000

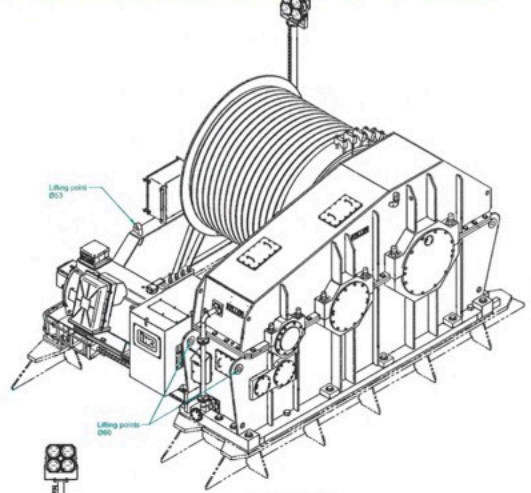
WEIGHT

61.500 KG

INTERMEDIATE WINCH 9B

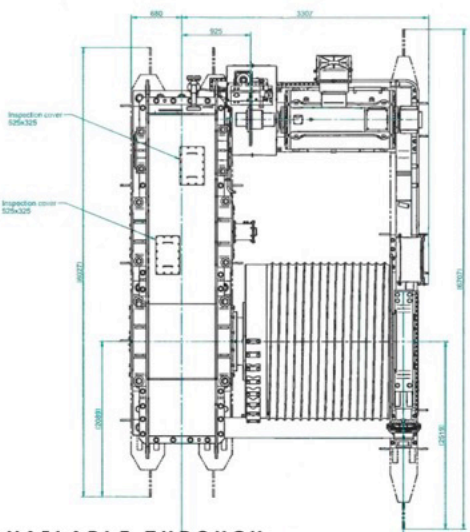
MADE AVAILABLE THROUGH

OFFSHORE-CRANE.COM



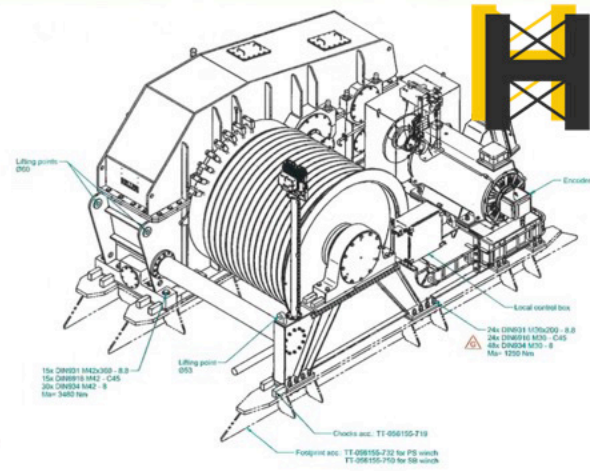
Lifting point 0x1

Lifting points 0x6



Inspection cover 525x325

Inspection cover 525x325



Lifting point 0x0

Encoder

Local control box

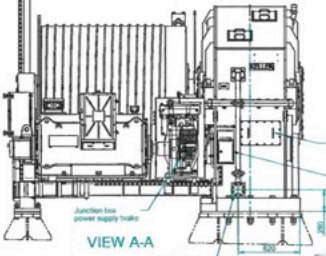
24x DIM031 1/32x2000 - 8.8
24x DIM040 1/32 - C45
40x DIM044 1/32 - 8
Max. 1250 Nm

15x DIM031 1/32x2000 - 8.8
15x DIM031 1/32x1000 - C45
20x DIM034 1/32 - 8
Max. 3400 Nm

Lifting point 0x5

Checks acc. TT-058155-719

Forprint acc. TT-058155-732 for PS switch
TT-058155-710 for SB switch



VIEW A-A

Inspection cover 525x325

Terminal box for encoders

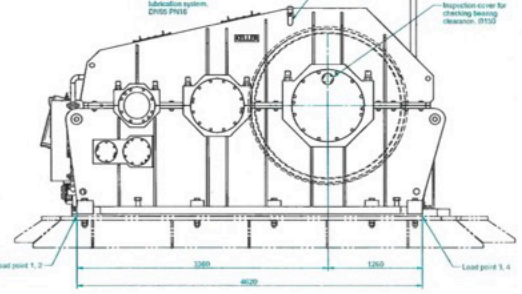
Junction box power supply trailer

Heat conduction lubrication system, CR020 P162

Exhauster

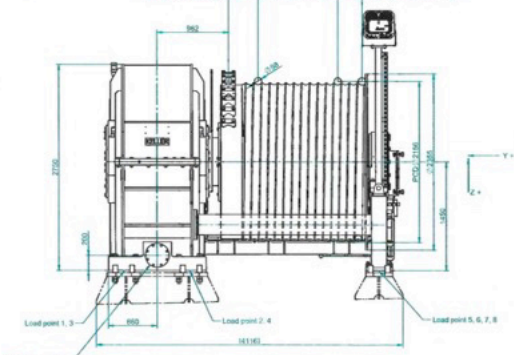
Inspection cover for checking bearing clearance, 91537

MADE AVAILABLE THROUGH **OFFSHORE-CRANE.COM**



Load point 1, 2

Load point 3, 4

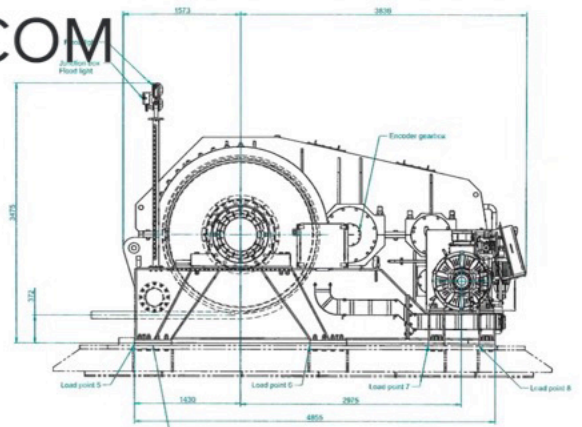


Load point 1, 3

Load point 2, 4

Load point 5, 6, 7, 8

Outlet conduction lubrication system, CR020 P162



Floor light

Encoder gears

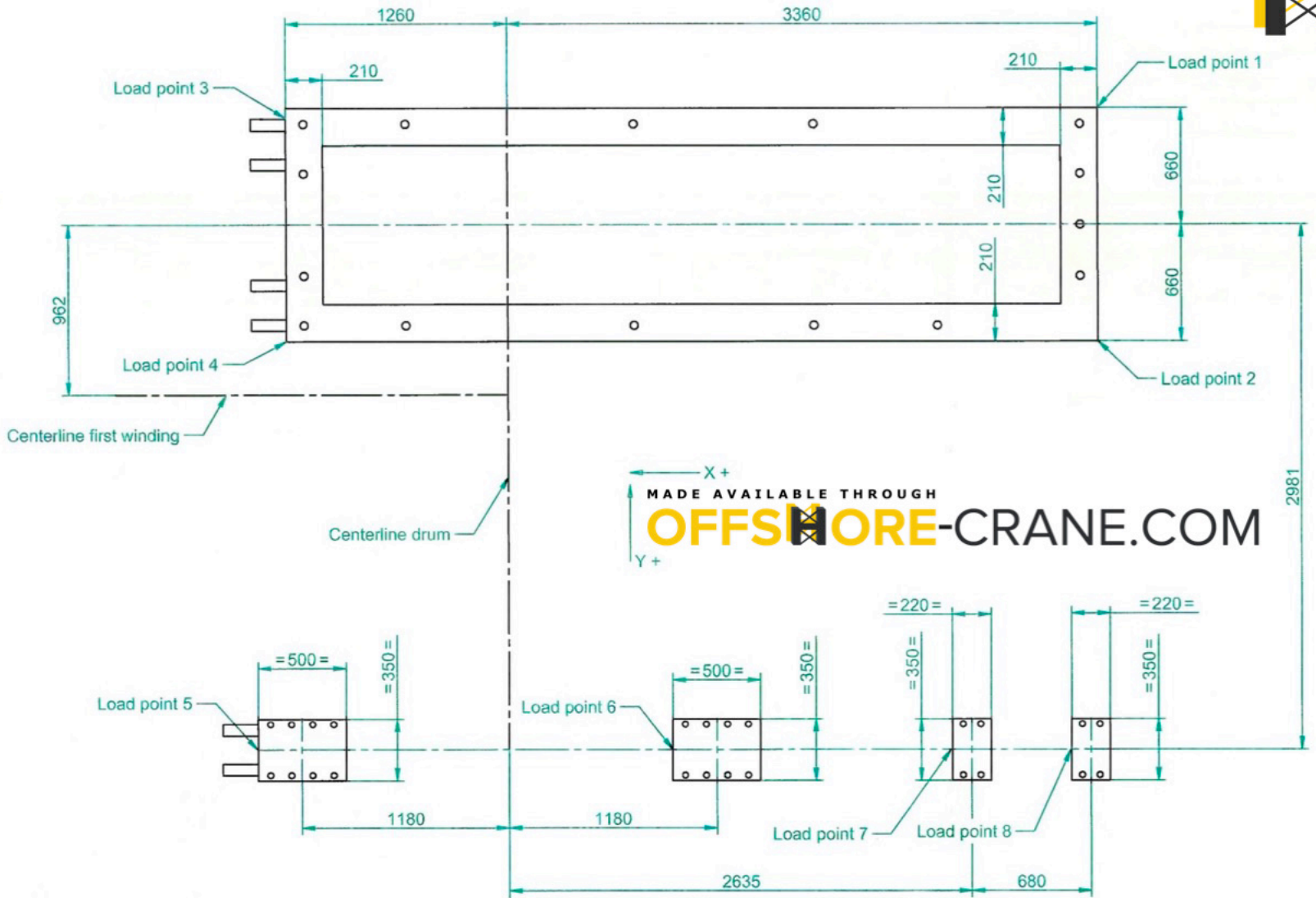
Load point 5

Load point 6

Load point 7

Load point 8

Equal gap between each frame, gearbox and motor foundation. Thickness 15mm 30 mm



MADE AVAILABLE THROUGH
OFFSHORE-CRANE.COM



Load point	Fx max.	Fx min.	Fy max.	Fy min.	Fz max.	Fz min.	
1	0	0	200	1	1	-427	[kN]
2	0	0	17	-399	-3	-698	[kN]
3	1101	-145	149	-44	194	-289	[kN]
4	1139	-140	246	-155	365	-287	[kN]
5	2511	-101	0	0	-2	-1843	[kN]
6	0	0	0	0	1801	-287	[kN]
7	0	0	0	0	19	-120	[kN]
8	0	0	0	0	5	-20	[kN]